

इंटरनेट

मानक

Disclosure to Promote the Right To Information

Whereas the Parliament of India has set out to provide a practical regime of right to information for citizens to secure access to information under the control of public authorities, in order to promote transparency and accountability in the working of every public authority, and whereas the attached publication of the Bureau of Indian Standards is of particular interest to the public, particularly disadvantaged communities and those engaged in the pursuit of education and knowledge, the attached public safety standard is made available to promote the timely dissemination of this information in an accurate manner to the public.

“जानने का अधिकार, जीने का अधिकार”

Mazdoor Kisan Shakti Sangathan

“The Right to Information, The Right to Live”

“पुराने को छोड़ नये के तरफ”

Jawaharlal Nehru

“Step Out From the Old to the New”

IS 7433 (1992): Obstetrics Instruments - Forceps, round ligament, Bonney's pattern - Shape and dimensions [MHD 3: Obstetric and Gynaecological Instruments and Appliances]



“ज्ञान से एक नये भारत का निर्माण”

Satyanarayan Gangaram Pitroda

“Invent a New India Using Knowledge”



“ज्ञान एक ऐसा खजाना है जो कभी चुराया नहीं जा सकता है”

Bhartrhari—Nitiśatakam

“Knowledge is such a treasure which cannot be stolen”

BLANK PAGE



भारतीय मानक

प्रसूति सम्बंधी उपकरण — बोनी के नमूने की गोल लिगामेन्ट
चिमटी — आकृति एवं आयाम

(पहला पुनरीक्षण)

Indian Standard

OBSTETRICS INSTRUMENTS — FORCEPS, ROUND
LIGAMENT, BONNEY'S PATTERN — SHAPE AND
DIMENSIONS

(*First Revision*)

UDC 615.472.4 : 616.75-72

© BIS 1992

BUREAU OF INDIAN STANDARDS
MANAK BHAVAN, 9 BAHADUR SHAH ZAFAR MARG
NEW DELHI 110002

January 1992

Price Group 1

FOREWORD

This Indian Standard (First Revision) was adopted by the Bureau of Indian Standards, after the draft finalized by the Obstetric and Gynaecological Instruments and Appliances Sectional Committee, had been approved by the Medical Equipment and Hospital Planning Division Council.

This standard was first published in 1974 and has been revised to cover the requirements in respect of shape and dimensions only, as the specification part of these types of instruments is covered in IS 3642 (Part 1) : 1990 'Surgical instruments — Specification : Part 1 Non-cutting articulated instruments (*second revision*)'. This standard is, therefore, intended to be used only in respect of shape and dimensions which are referred to in 4.1 of IS 3642 (Part 1) : 1990.

For the purpose of deciding whether a particular requirement of this standard is complied with, the final value, observed or calculated, expressing the result of a test, shall be rounded off in accordance with IS 2 : 1960 'Rules for rounding off numerical values (*revised*)'. The number of significant places retained in the rounded off value should be the same as that of specified value in this standard.

Indian Standard

OBSTETRICS INSTRUMENTS — FORCEPS, ROUND LIGAMENT, BONNEY'S PATTERN — SHAPE AND DIMENSIONS

(*First Revision*)

1 SCOPE

1.1 This standard prescribes shape and dimensions for Bonney's pattern round ligament forceps used in obstetrics.

2 REFERENCE

2.1 The Indian Standard IS 3642 (Part 1) : 1990 'Surgical instruments — Specification: Part 1 Non-cutting articulated instruments (*second revision*)' forms a necessary adjunct to this standard.

3 SHAPE AND DIMENSIONS

3.1 The shape and dimensions for the Bonney's pattern round ligament forceps shall be as shown in Fig. 1.

3.2 Joints

The joints shall be screw type in accordance

with 13.2 of Section 3 of IS 3642 (Part 1) : 1990.

3.3 Serrations

The serrations shall conform to the requirements as given in Section 2 of IS 3642 (Part 1) : 1990. The pitch and depth of the serrations shall be as given in Fig. 1.

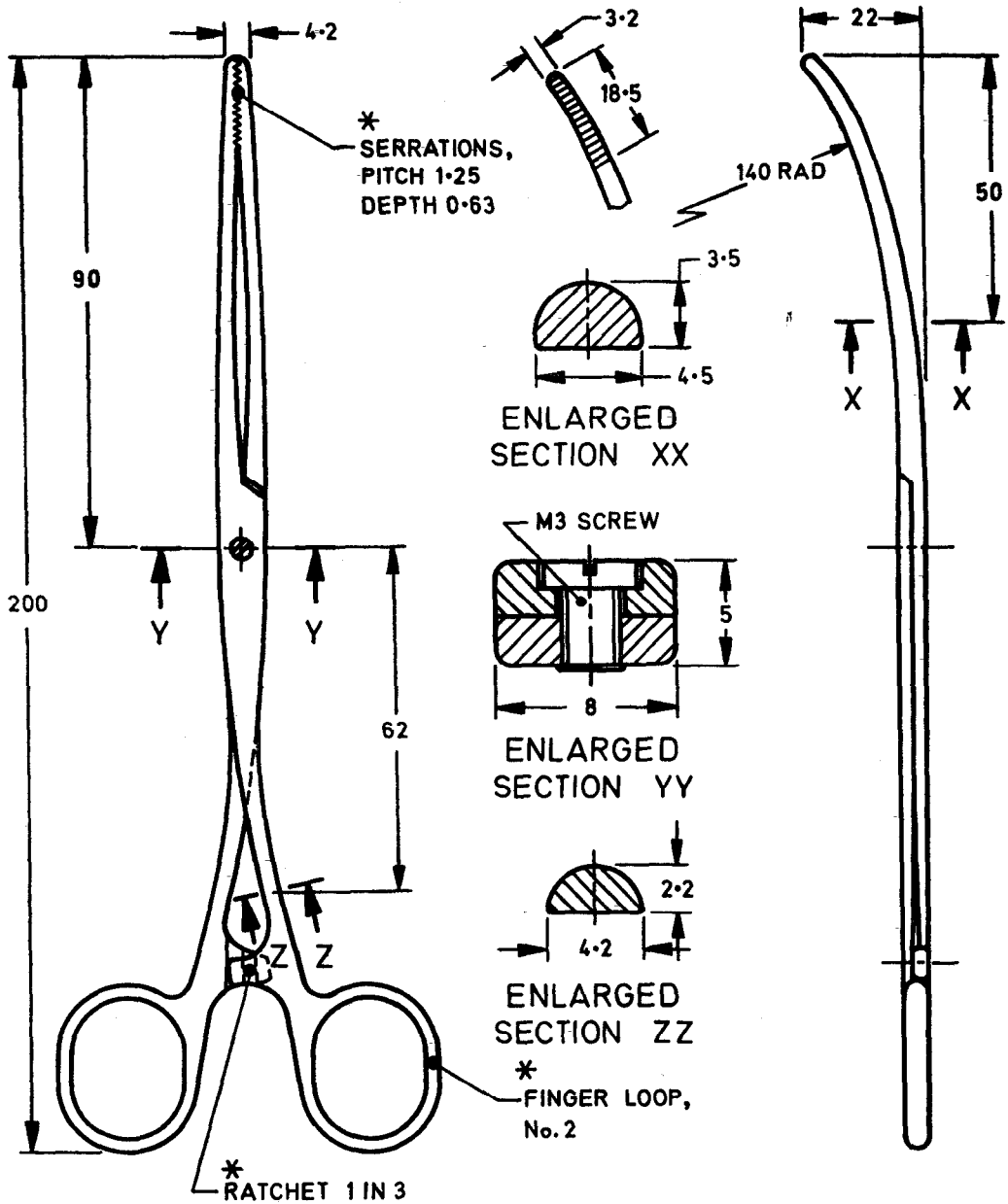
3.4 Ratchet

Ratchet teeth shall conform to Section 4 of IS 3642 (Part 1) : 1990 with combination of 1 in 3.

3.4.1 The load required to close the forceps on the first, second and third ratchet shall be $250 \pm 25g$, $500 \pm 25g$ and $750 \pm 25g$ respectively.

3.5 Finger Loops

The finger loops shall conform to size No. 2 of Section 6 of IS 3642 (Part 1) : 1990.



* See IS 3642(Part 1) : 1990 Surgical instruments — Specification : Part 1 Non-cutting, articulated instruments (second revision).

All dimensions in millimetres.

FIG. 1 FORCEPS, ROUND LIGAMENT, BONNEY'S PATTERN

Standard Mark

The use of the Standard Mark is governed by the provisions of the *Bureau of Indian Standards Act, 1986* and the Rules and Regulations made thereunder. The Standard Mark on products covered by an Indian Standard conveys the assurance that they have been produced to comply with the requirements of that standard under a well defined system of inspection, testing and quality control which is devised and supervised by BIS and operated by the producer. Standard marked products are also continuously checked by BIS for conformity to that standard as a further safeguard. Details of conditions under which a licence for the use of the Standard Mark may be granted to manufacturers or producers may be obtained from the Bureau of Indian Standards.

Bureau of Indian Standards

BIS is a statutory institution established under the *Bureau of Indian Standards Act, 1986* to promote harmonious development of the activities of standardization, marking and quality certification of goods and attending to connected matters in the country.

Copyright

BIS has the copyright of all its publications. No part of these publications may be reproduced in any form without the prior permission in writing of BIS. This does not preclude the free use, in the course of implementing the standard, of necessary details, such as symbols and sizes, type or grade designations. Enquiries relating to copyright be addressed to the Director (Publications), BIS.

Revision of Indian Standards

Indian Standards are reviewed periodically and revised, when necessary and amendments, if any, are issued from time to time. Users of Indian Standards should ascertain that they are in possession of the latest amendments or edition. Comments on this Indian Standard may be sent to BIS giving the following reference:

Doc : No. MHD 3 (2323)

Amendments Issued Since Publication

Amend No.	Date of Issue	Text Affected

BUREAU OF INDIAN STANDARDS

Headquarters:

Manak Bhavan, 9 Bahadur Shah Zafar Marg, New Delhi 110002
Telephones : 331 01 31, 331 13 75

Telegrams : Manaksanstha
(Common to all Offices)

Regional Offices:

Central : Manak Bhavan, 9 Bahadur Shah Zafar Marg NEW DELHI 110002	{ 331 01 31 331 13 75
Eastern : 1/14 C.I.T. Scheme VII M, V.I.P. Road, Maniktola CALCUTTA 700054	37 86 62
Northern : SCO 445-446, Sector 35-C, CHANDIGARH 160036	53 38 43
Southern : C.I.T Campus, IV Cross Road, MADRAS 600113	235 02 16
Western : Manakalaya, E9 MIDC, Marol, Andheri (East) BOMBAY 400093	632 92 95
Branches : AHMADABAD. BANGALORE. BHOPAL. BHUBANESHWAR. COIMBATORE. FARIDABAD. GHAZIABAD. GUWAHATI. HYDERABAD. JAIPUR. KANPUR. PATNA. SRINAGAR. THIRUVANANTHAPURAM.	